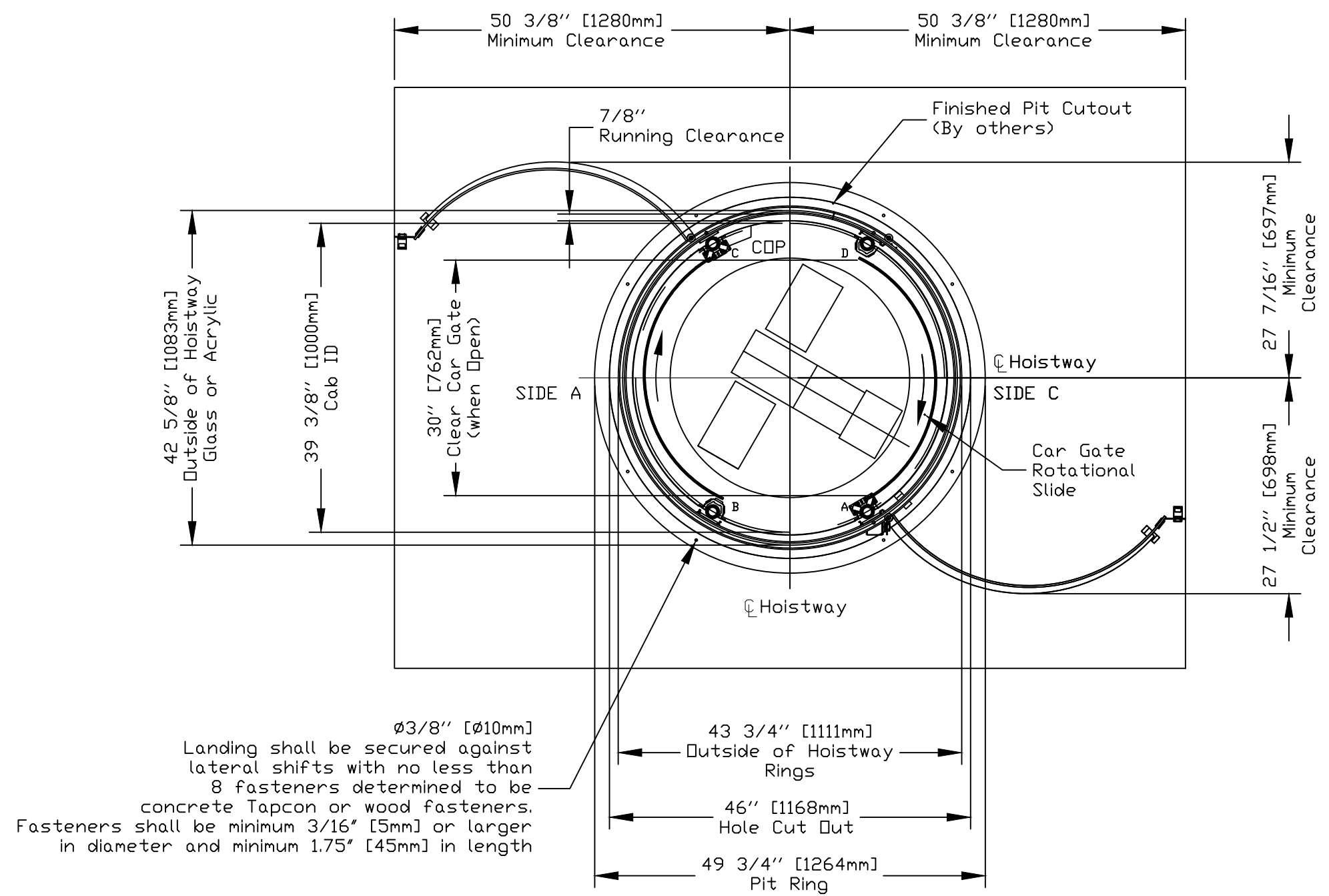
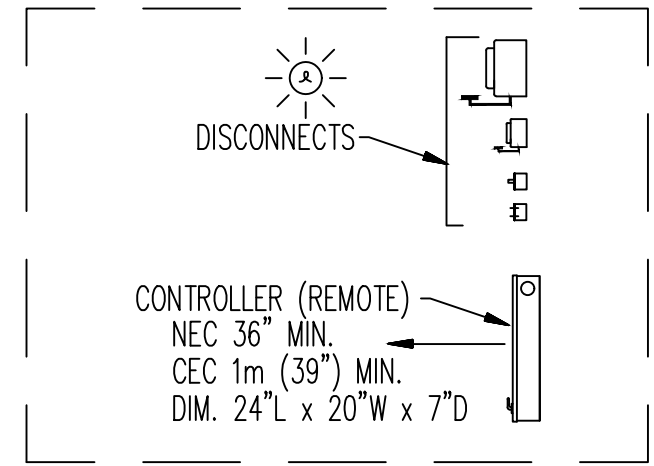


PLAN VIEW - TYPE 2 CAR



ø3/8" [Ø10mm]
Landing shall be secured against lateral shifts with no less than 8 fasteners determined to be concrete Tapcon or wood fasteners. Fasteners shall be minimum 3/16" [5mm] or larger in diameter and minimum 1.75" [45mm] in length



DISCONNECTS AND CONTROLLER (REMOTE)

PLAN VIEW

OFFICE USE ONLY:	
CONFIGURATION VERSION STAMP:	1.5
MODULE VERSION STAMP:	VUE_1.0.5

Part No.	Round Mini Acrylic
Variant No.	

CUSTOMER:	DATE:	05/06/20
PROJECT:	REVISION DATE:	
ADDRESS:	COMPLETED BY:	

savaria

JOB No. SHEET No. 1 OF 1