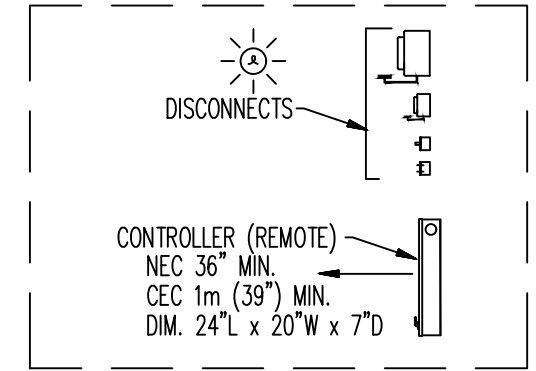
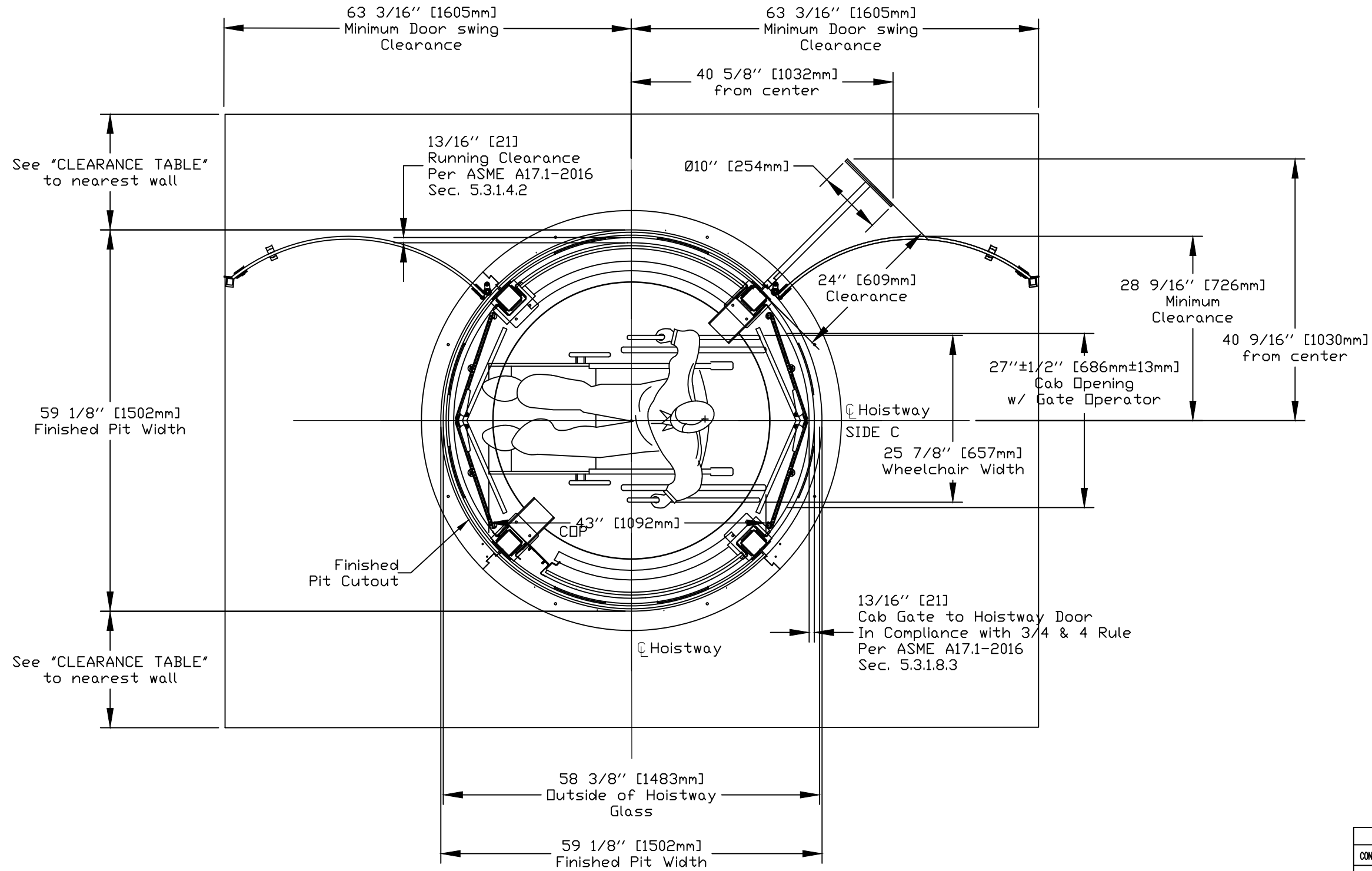


CLEARANCE TABLE

1-WALL 4'	2-WALL ONE AT 4' AND ONE AT 18'	3-WALL CONSULT FACTORY
--------------	------------------------------------	---------------------------

PLAN VIEW - TYPE 2 CAR



DISCONNECTS AND CONTROLLER (REMOTE)

PLAN VIEW - TYPE 2 CAR

<b>OFFICE USE ONLY:</b>	
CONFIGURATION VERSION STAMP:	1.5
MODULE VERSION STAMP:	VUE_1.1.2

Part No.	Round+ Glass
Variant No.	

CUSTOMER:	DATE:
PROJECT:	REVISION DATE:
ADDRESS:	COMPLETED BY:

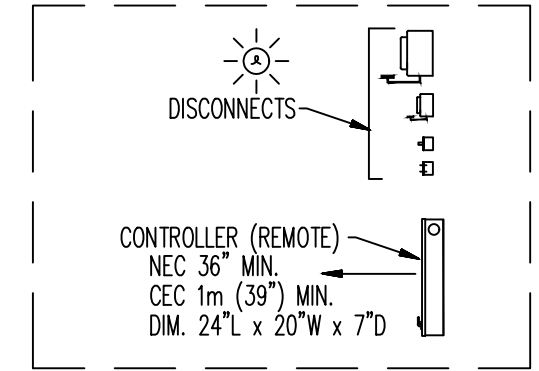
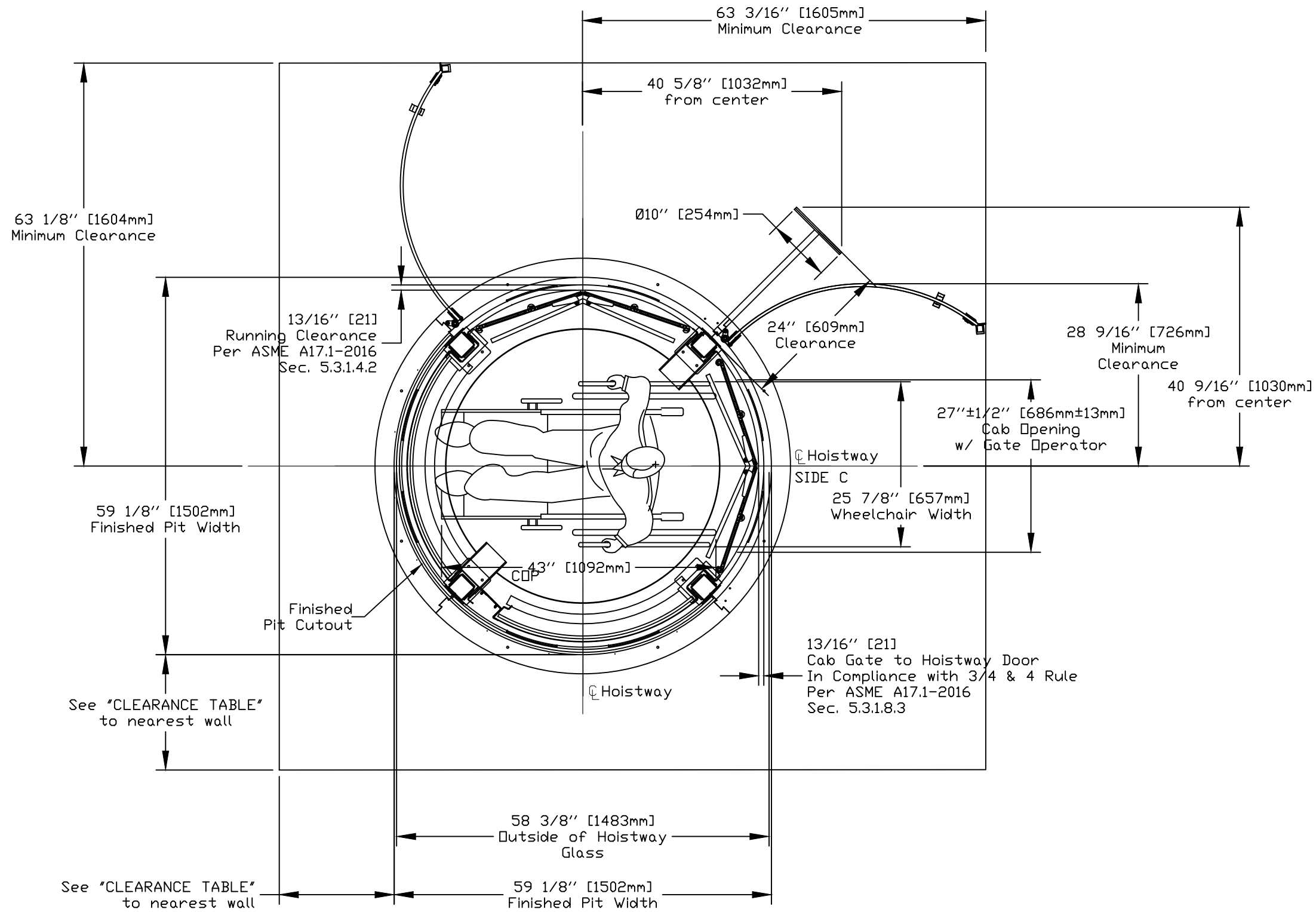
**savaria**

JOB No. SHEET No. 1 OF 1

CLEARANCE TABLE

1-WALL 4'	2-WALL ONE AT 4' AND ONE AT 18'	3-WALL CONSULT FACTORY
--------------	------------------------------------	---------------------------

PLAN VIEW - TYPE 3 CAR



DISCONNECTS AND CONTROLLER (REMOTE)

PLAN VIEW - TYPE 3 CAR

<b>OFFICE USE ONLY:</b>	
CONFIGURATION VERSION STAMP:	1.5
MODULE VERSION STAMP:	VUE_1.1.2

Part No.	Round+ Glass
Variant No.	

CUSTOMER:	DATE:
PROJECT:	REVISION DATE:
ADDRESS:	COMPLETED BY:
	JOB No.
	SHEET No.

