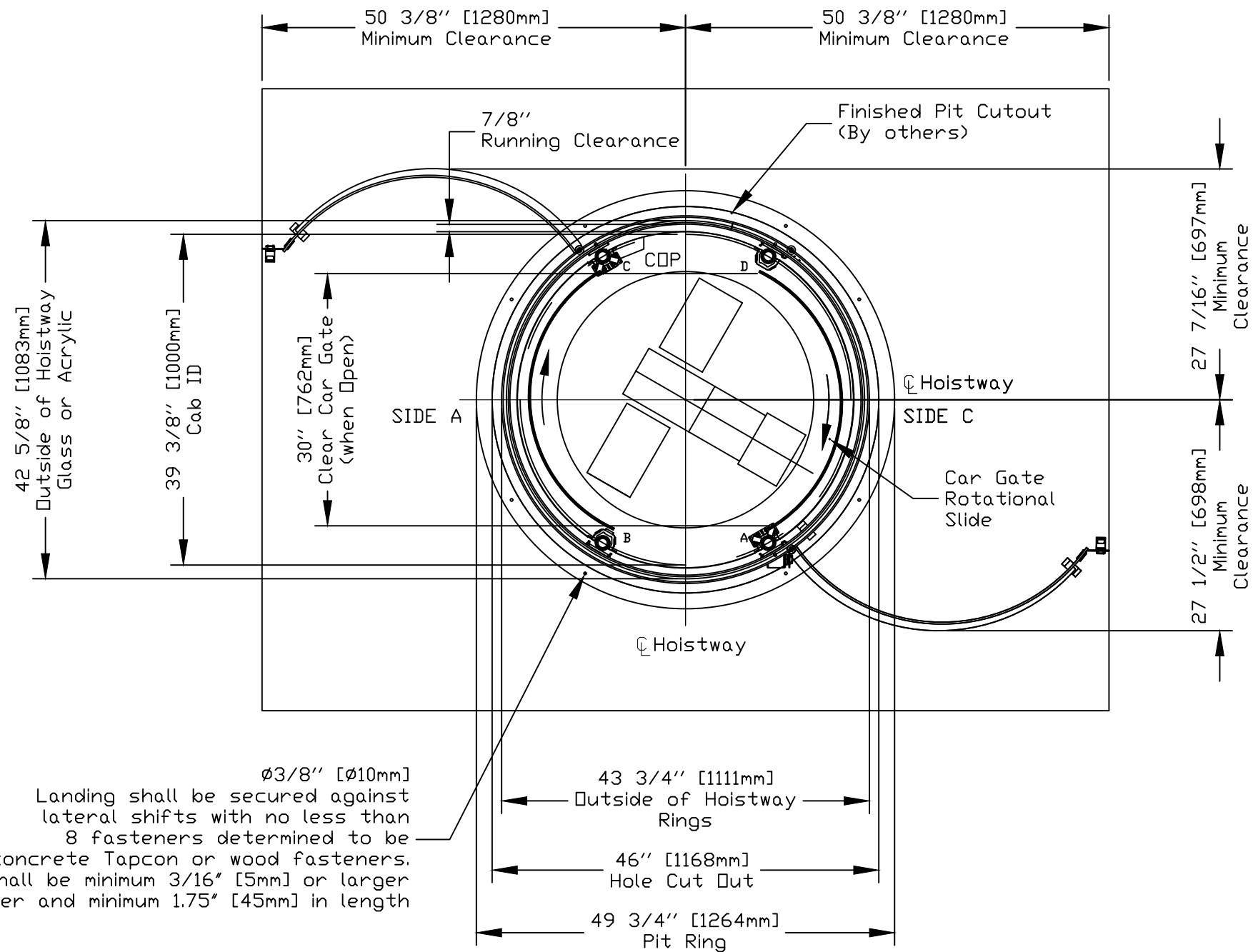


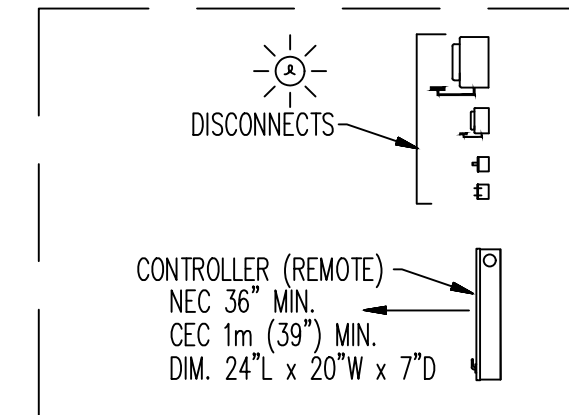
IMPORTANT NOTES

- IN APPLICATION WHERE THE UNIT IS CENTERED INSIDE A STAIRCASE, USE THE PIT RING DIMENSION OF THE UNIT AS THE MINIMUM DIMENSION INSIDE THE STAIRCASE.
- THE UNIT CANNOT SERVE AS A FALL BARRIER. A HANDRAIL IS REQUIRED ON THE INTERIOR OF THE STAIRCASE.

TYPE 2 CAR



Ø3/8" [Ø10mm]
Landing shall be secured against lateral shifts with no less than 8 fasteners determined to be concrete Tapcon or wood fasteners. Fasteners shall be minimum 3/16" [5mm] or larger in diameter and minimum 1.75" [45mm] in length



DISCONNECTS AND CONTROLLER (REMOTE)

PLAN VIEW

<i>OFFICE USE ONLY:</i>	
CONFIGURATION VERSION STAMP:	1.5
MODULE VERSION STAMP:	VUE_1.0.5

Part No. Round Mini Acrylic
Variant No.

CUSTOMER:
PROJECT:
ADDRESS:

DATE: 05/06/20
REVISION DATE:
COMPLETED BY:



JOB No. SHEET No.