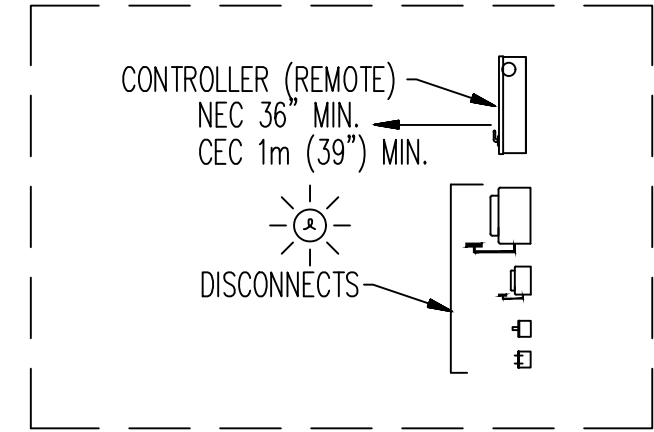
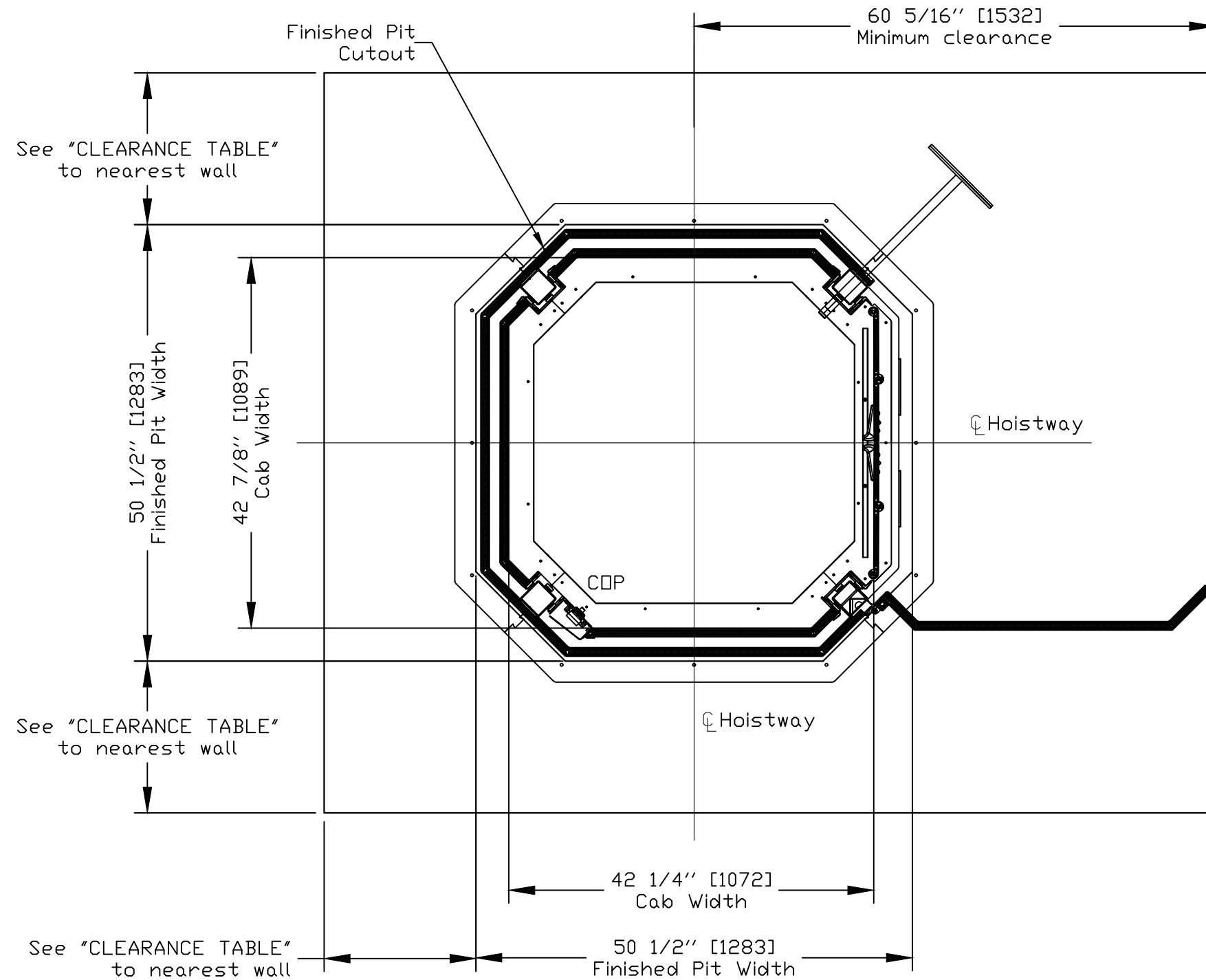


CLEARANCE TABLE

1 - WALL	2 - WALL	3 - WALL
4'	18" TO BOTH WALL	18" TO ALL 3 WALL

PLAN VIEW-TYPE 1



DISCONNECTS AND CONTROLLER (REMOTE)

PRELIMINARY DRAWING ONLY
DRAWING APPROVAL:

THIS DRAWING REFLECTS OUR INTERPRETATION OF THE INFORMATION PROVIDED BY THE DEALER ON THE ORDER FORM. THIS INFORMATION IS THE DEALER'S RESPONSIBILITY, AND IS THE BASIS FROM WHICH THIS LIFT IS DESIGNED AND MANUFACTURED. PLEASE INDICATE THE REQUESTED ACTION BY CHECKING ONE OF THE FOLLOWING BOXES AND SIGNING BELOW TO AUTHORIZE COMPLETION OF THIS ORDER.

- APPROVED WITH NO EXCEPTIONS
MANUFACTURE PRODUCT AS PER DRAWING
- APPROVED WITH EXCEPTIONS, NO REAPPROVAL REQUIRED
MAKE CHANGES AS NOTED, NO REAPPROVAL DRAWING REQUIRED
- CHANGE AS NOTED, REAPPROVAL REQUIRED
MAKE CHANGES AS NOTED, SEND CORRECTED DRAWING FOR REAPPROVAL BEFORE MANUFACTURE

SIGNATURE: _____ DATE: _____

- CHANGES REQUEST:
1. _____
 2. _____
 3. _____
 4. _____

CAUTION: ONCE THE DRAWING IS APPROVED, JOB CANCELLATION FEES WILL APPLY

<i>OFFICE USE ONLY:</i>	
CONFIGURATION VERSION STAMP:	1.5
MODULE VERSION STAMP:	E-S-7311

Part No.	VUE LIFT
Variant No.	P-000000

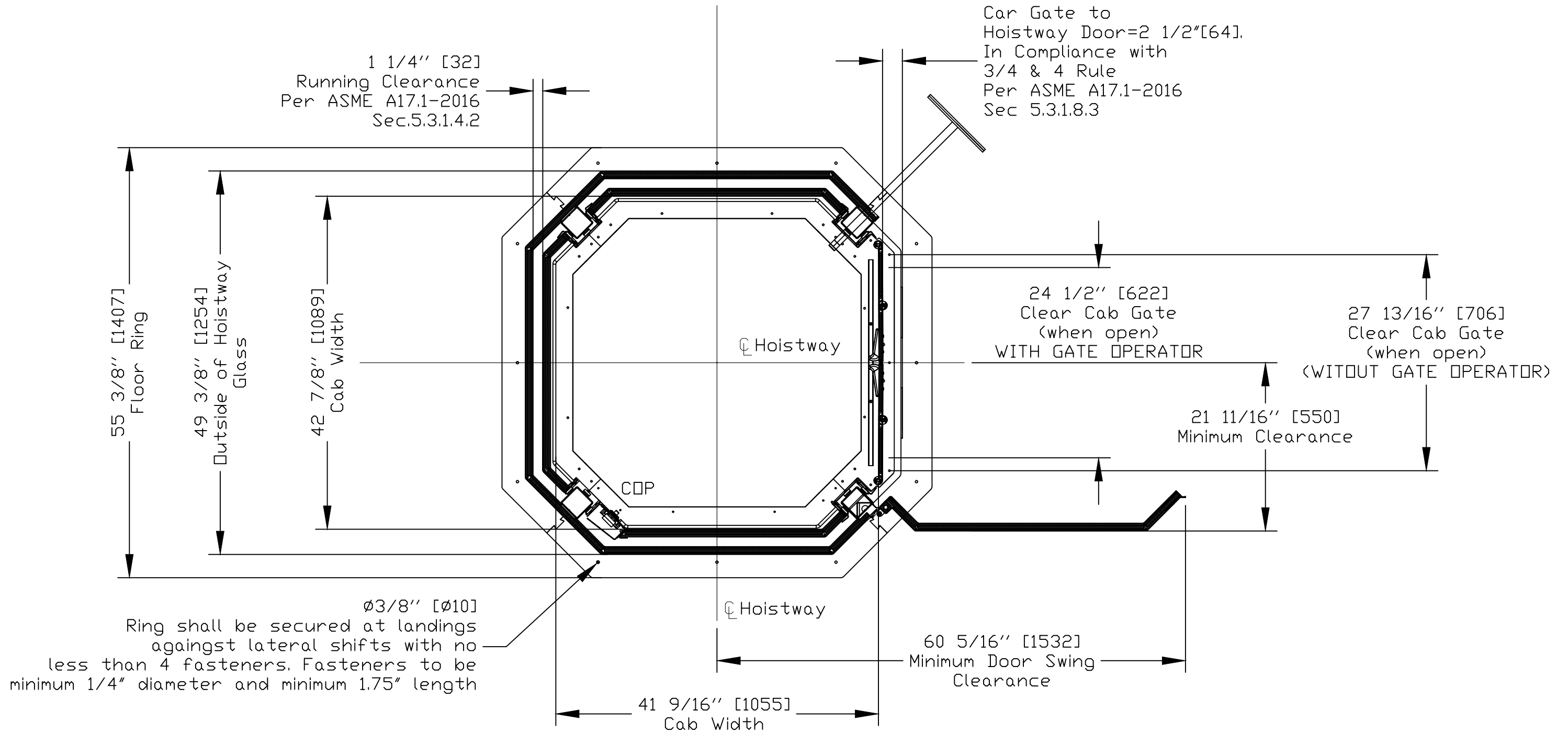
CUSTOMER:	DATE:	01/05/18
PROJECT:	REVISION DATE:	10/28/19
ADDRESS:	COMPLETED BY:	SC
		5

savaria™

JOB No. OGM-TYPE 1 SHEET No. 11 OF 7

PLAN VIEW

PIT/BOTTOM FLOOR/THRU
FLOOR VIEW



Ring shall be secured at landings against lateral shifts with no less than 4 fasteners. Fasteners to be minimum 1/4" diameter and minimum 1.75" length

Car Gate to Hoistway Door=2 1/2"[64].
In Compliance with 3/4 & 4 Rule
Per ASME A17.1-2016 Sec 5.3.1.8.3

1 1/4" [32]
Running Clearance
Per ASME A17.1-2016 Sec.5.3.1.4.2

24 1/2" [622]
Clear Cab Gate
(when open)
WITH GATE OPERATOR

27 13/16" [706]
Clear Cab Gate
(when open)
(WITHOUT GATE OPERATOR)

21 11/16" [550]
Minimum Clearance

60 5/16" [1532]
Minimum Door Swing
Clearance

41 9/16" [1055]
Cab Width

**Clear cab dimension are from glass to glass and handrail protrudes over this dimension

FLOOR VIEW

<i>OFFICE USE ONLY:</i>	
CONFIGURATION VERSION STAMP:	1.5
MODULE VERSION STAMP:	E-S-73.11

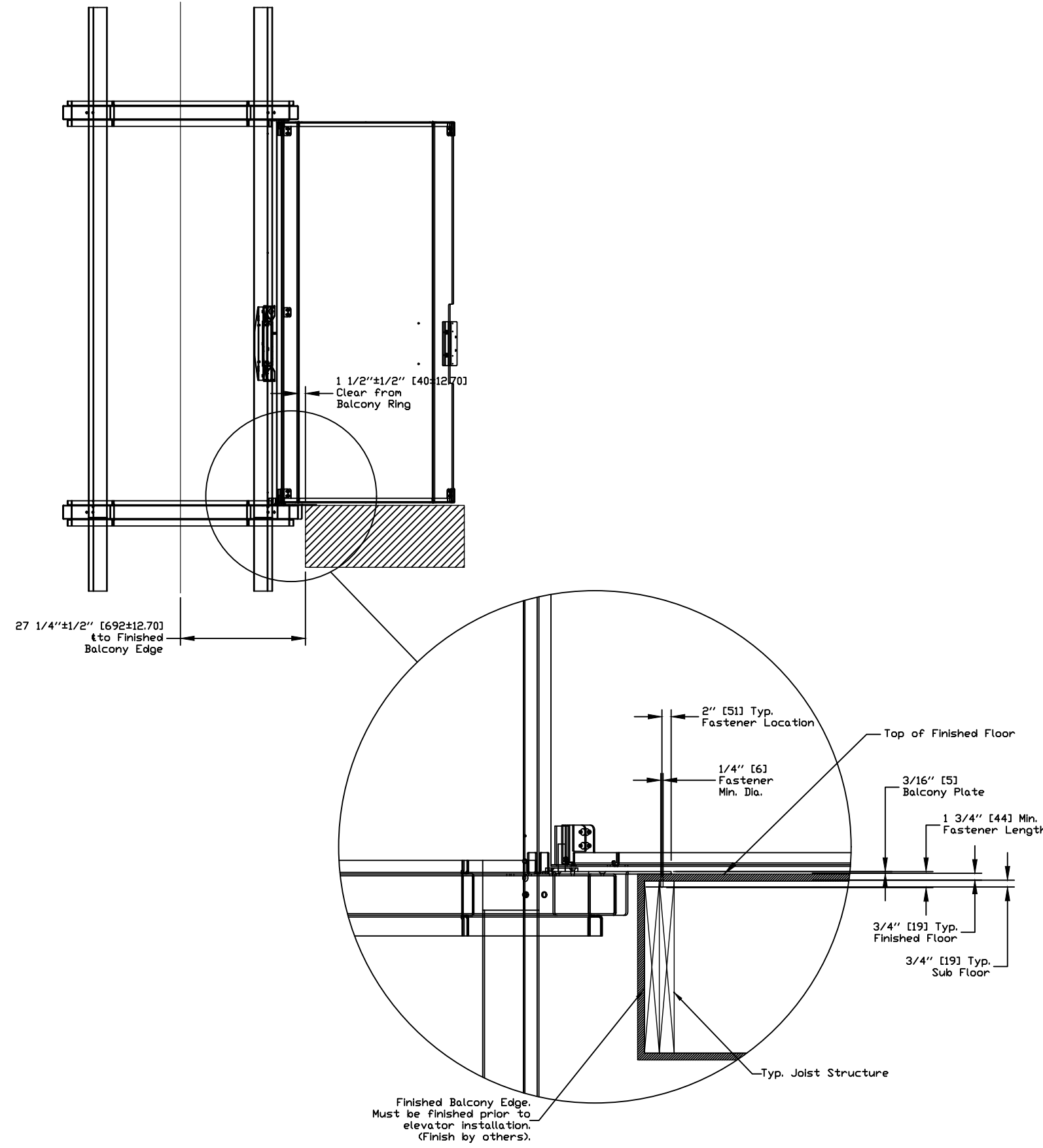
Part No. VUELIFT
Variant No. P-000000

CUSTOMER:	DATE:	01/05/18
PROJECT:	REVISION DATE:	10/28/19
ADDRESS:	COMPLETED BY:	SC
		5

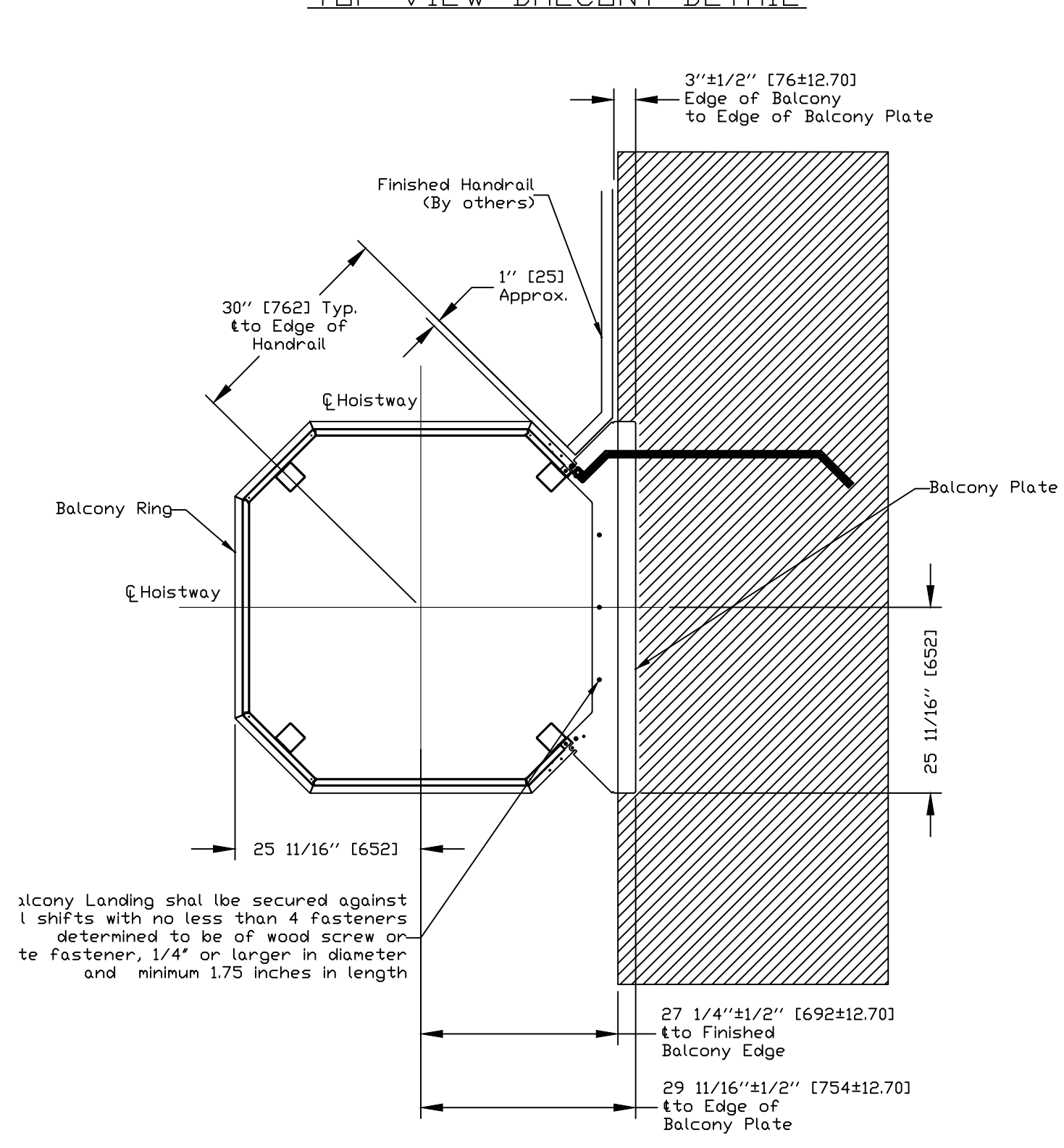


JOB No. OGM-TYPE 1 SHEET No. 2 OF 7

ELEVATION VIEW-BALCONY ATTACHMENT DETAIL



TOP VIEW BALCONY DETAIL



Elev : BALCONY DETAILS

CUSTOMER:	DATE:	01/05/18
PROJECT:	REVISION DATE:	10/28/19
ADDRESS:	COMPLETED BY:	SC
		5

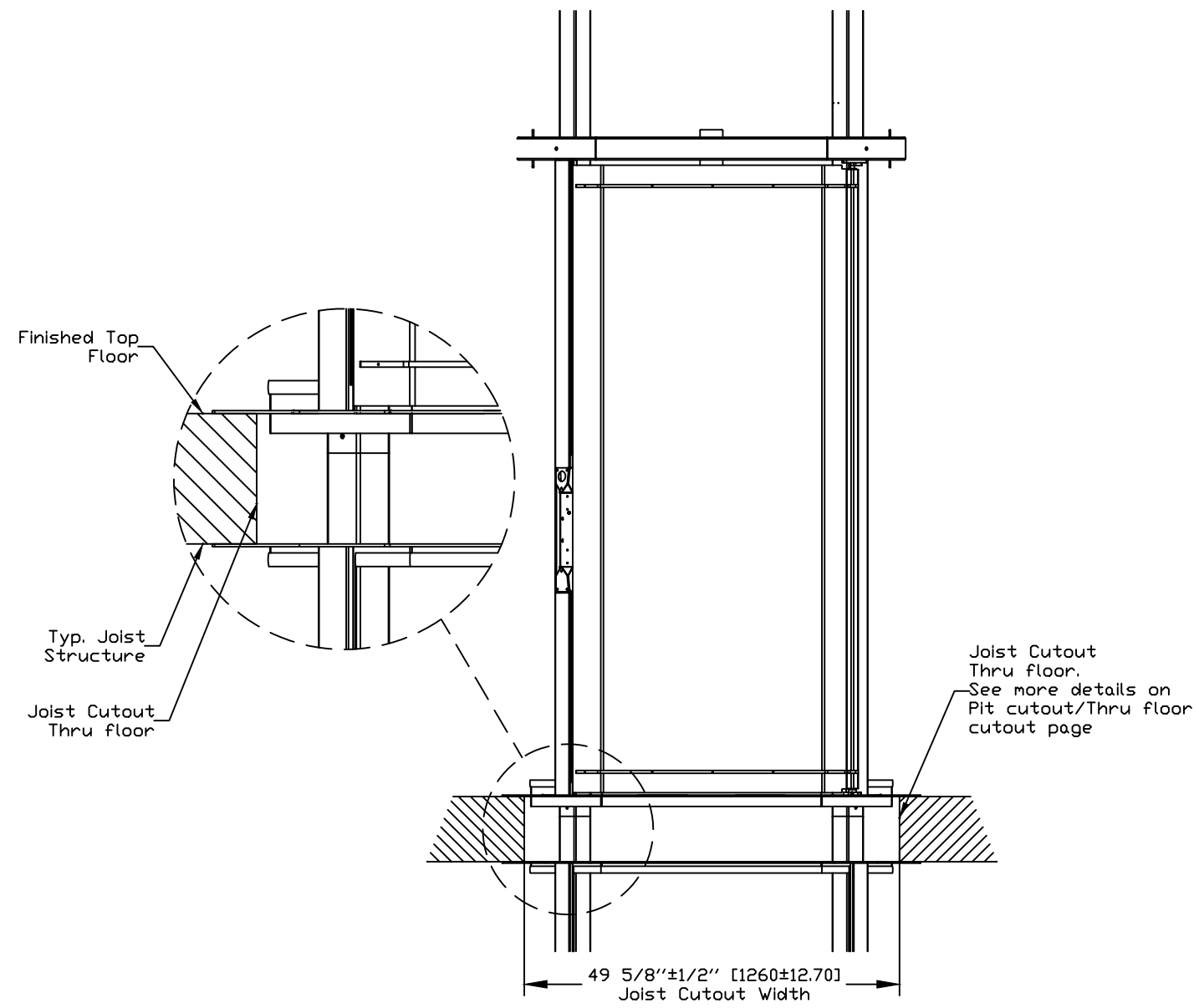
OFFICE USE ONLY:	
CONFIGURATION VERSION STAMP:	1.5
MODULE VERSION STAMP:	E-S-7311

Part No.	VUELIFT
Variant No.	P-000000

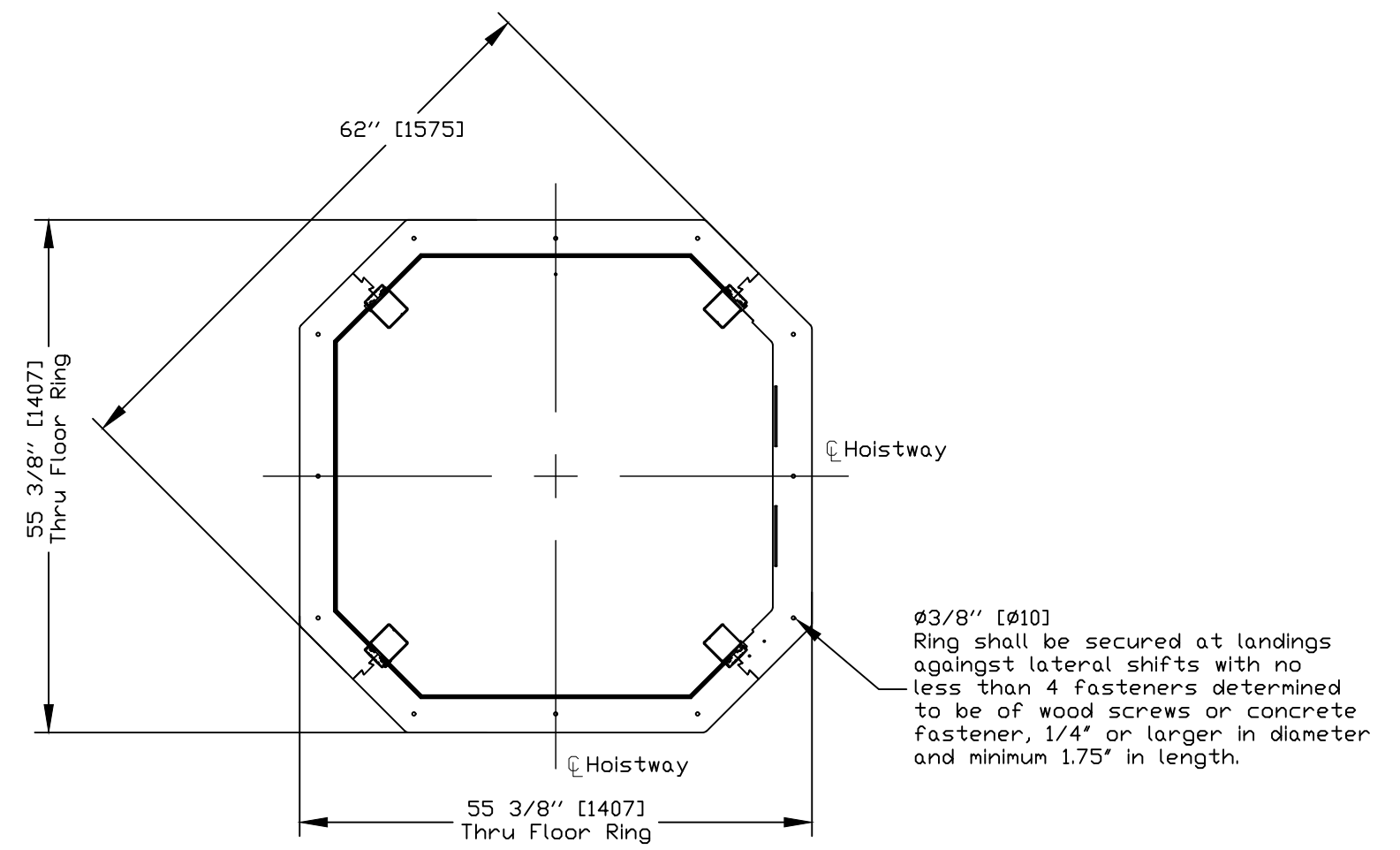


JOB No.	OGM-TYPE 1	SHEET No.	3 OF 7
---------	------------	-----------	--------

THRU FLOOR CONFIGURATION



THRU FLOOR PLAN VIEW



THRU FLOOR DEATILS

<i>OFFICE USE ONLY:</i>	
CONFIGURATION VERSION STAMP:	1.5
MODULE VERSION STAMP:	E-S-73.11

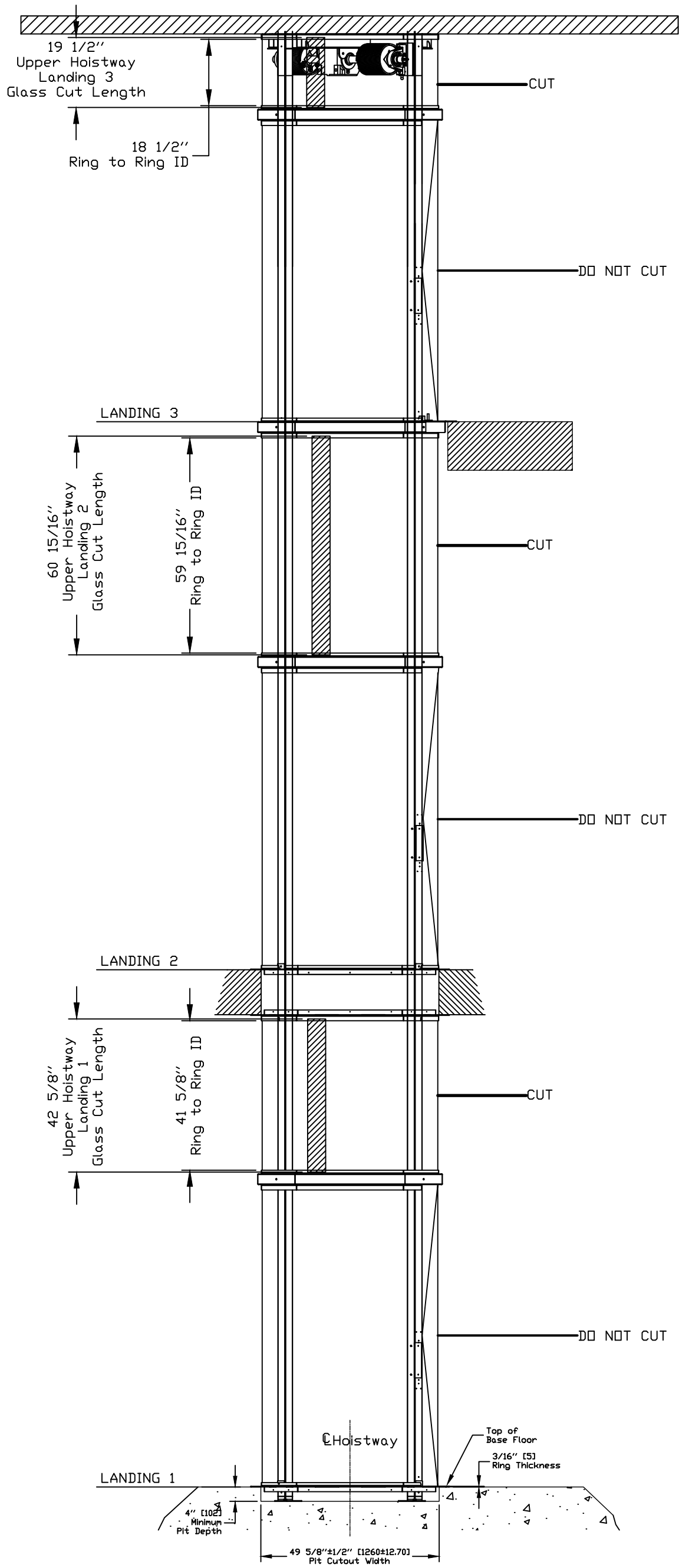
Part No.	VUELIFT
Variant No.	P-000000

CUSTOMER:	DATE:	01/05/18
PROJECT:	REVISION DATE:	10/28/19
ADDRESS:	COMPLETED BY:	SC
		5



JOB No.	OGM-TYPE 1	SHEET No.	4 OF 7
---------	------------	-----------	--------

DIMENSIONS SHOWN ARE FOR REFERENCE
 ONLY AND NOT SITE SPECIFIC



ELEVATION VIEW

<i>OFFICE USE ONLY:</i>	
CONFIGURATION VERSION STAMP:	1.5
MODULE VERSION STAMP:	E-S-73.11

Part No. VUE LIFT
 Variant No. P-000000

CUSTOMER:
 PROJECT:
 ADDRESS:

DATE: 01/05/18
 REVISION DATE: 10/28/19
 COMPLETED BY:
 SC



JOB No. DGM-TYPE 1 SHEET No. 15 OF 7

PROVISIONS BY OTHERS

*GENERAL

CONSTRUCTION SITE: OWNER/AGENT TO PROVIDE ALL MASONRY, CARPENTRY AND DRYWALL WORK AS REQUIRED. FLOORS SHALL BE IN FINISHED STATE PRIOR TO INSTALLATION OF UNIT.

DIMENSIONS: CONTRACTOR/CUSTOMER TO VERIFY ALL CLEARANCE DIMENSIONS PRIOR TO UNIT DELIVERY.

*STRUCTURAL

FLOOR LOADS: STRUCTURAL ENGINEER TO ASSURE THAT BUILDING WILL SAFELY SUPPORT ALL LOADS IMPOSED BY THE LIFT EQUIPMENT. REFER TO TABLES ON THIS DRAWING FOR PIT/FLOOR LOADS IMPOSED BY THE EQUIPMENT.

NOTE: PER ASME A17.1-2016

THE CLEARANCE BETWEEN THE HOISTWAY DOORS OR GATES AND THE HOISTWAY EDGE OF THE LANDING SILL SHALL NOT EXCEED 3IN. THE DISTANCE BETWEEN THE HOISTWAY FACE OF THE LANDING DOOR OR GATE AND THE CAR DOOR OR GATE SHALL NOT EXCEED 5IN.

*ELECTRICAL

POWER SUPPLY: (SEE SPECIFICATIONS BELOW) LOCKABLE FUSED DISCONNECTS INSTALLED IN COMPLIANCE WITH ELECTRICAL CODE TO BE PROVIDED PRIOR TO INSTALLATION. ROUGHED IN POWER TO LIFT UNIT MUST BE PROVIDED TO HEAD ASSEMBLY LOCATION PRIOR TO INSTALLATION.

ELECTRICAL GFCI OUTLET IN HOISTWAY PIT.

PERMANENT POWER: BEFORE INSTALLATION CAN BEGIN, PERMANENT POWER MUST BE SUPPLIED.

*ENTRANCES

HANDRAILS: ALL BALCONY LEVELS REQUIRE HANDRAILS TO BE INSTALLED PER LOCAL CODES AFTER INSTALLATION IS COMPLETED. HANDRAIL AND INSTALLATION TO BE PROVIDED BY CONTRACTOR/CUSTOMER. VISILIFT, LLC AND/OR LOCAL INSTALLER ARE NOT RESPONSIBLE FOR HANDRAIL INSTALLATION OR MATERIALS.

POWER SUPPLY SPECIFICATIONS	DISCONNECT SIZE	TIME DELAY FUSE SIZE	VOLTS	PHASE	AMPERAGE
MOTOR & EQUIP.	30 AMPS	30 AMPS	230	SINGLE	20.2 AMPS
CAB LIGHTS	15 AMPS	15 AMPS	115	SINGLE	-
PIT LIGHT	15 AMPS	15 AMPS	115	SINGLE	-

IF A TELEPHONE CIRCUIT IS REQUIRED (OPTION FOR ELEVATOR) JACK IS PROVIDED AND INSTALLED BY OTHERS. THIS CIRCUIT SHALL BE BROUGHT TO A LOCATION NEXT TO THE CONTROLLER AND BE AVAILABLE TO CONNECT AND TEST UPON ELEVATOR INSTALLATION.

*SCOPE OF WORK

INSTALLATION OF A VUELIFT ELEVATOR BY A JOURNEY LEVEL LICENSED CONVEYANCE MECHANIC, AND MEETS OR EXCEEDS THE APPLICABLE REGULATIONS OF ALL GOVERNING AGENCIES AND IS IN CONFORMANCE WITH THE APPLICABLE SECTIONS OF THE MOST CURRENT EDITION OF THE FOLLOWING CODES AND STANDARDS.

ASME A17.1 SECTION 5.3 - SAFETY CODE FOR ELEVATORS AND ESCALATORS; PRIVATE RESIDENCE ELEVATORS.

NFPA 70-2008 THE NATIONAL ELECTRICAL CODE.

CSA B44.1/ASME A17.5 ELEVATOR AND ESCALATOR ELECTRICAL EQUIPMENT.

LOCAL CODES AND REGULATIONS, AS APPLICABLE.

AFTER INSTALLATION THE UNIT WILL BE INSPECTED BY AN INSPECTOR AS REQUIRED BY LOCAL LAWS.

GENERAL

CLASSIFICATION: _____ Residential Building
 APPLIED CODE: _____ ASME 17.1-2016 SEC. 5.3
 NEC 2008

WALLS: _____ Full Clear Laminated Safety Glass-Complies with ANSI Z97.1
 NUMBER OF FLOORS: _____ 2

MODEL: _____ Octagonal Glass
 CAPACITY: _____ 950 lbs. [432] kg
 NOMINAL SPEED: _____ 40 fpm. [0.1626 m/s]

CAB FLOOR AREA: _____ 11.91 Square Feet [1.11 sq.meters]
 CAB INT HEIGHT: _____ 84 Inches [2133 mm]

CAB WEIGHT: _____ 1000 lbs. [455 kg]

TOTAL TRAVEL: _____ 296 5/8 Inches

PIT DEPTH (OPTION): _____ 4 Inches [102-305mm]

POWER SUPPLY: _____ 50/60Hz Single Phase 230V

SAFETIES: _____ 2 Type A Instantaneous Safeties in compliance with ASME A17.1 Sections 2.17.8.1 & 1.17.5.1
 Mfg: Savaria P/N: VL481001-01

SUSPENSION:

TYPE: _____ Galvanized Aircraft Cable 2x3/8" dia

CONSTRUCTION: _____ IWRC 7 x 19 RHRL

NOMINAL STRENGTH: _____ 14,400 lbs. [6531 kg]

WT. OF ROPES: _____ 0.243 lbs/ft [3.616 g/cm]

TRAVEL CABLE WT: _____ 0.228 lbs/ft [3.393 g/cm]

DRIVETRAIN:

TYPE: _____ Winding Drum

MOTOR: _____ 3 HP with Integrated Brake

TRANSMISSION: _____ Ultra-Low Vibration 3-Stage Right Angle Helical-Bevel Drive

MOTOR CONTROL: _____ Pre-Programmed Variable Freq. Drive

DOOR INTERLOCKS: _____ Honeywell RDI-G-L5B certified in compliance with

ASME A17.1 Sections 2.12.4.3

PIT/FLOOR LOAD: _____ (ft of Hoistway*94.8) + (# of Floors*60) + 2130 Dead Load (lbs)

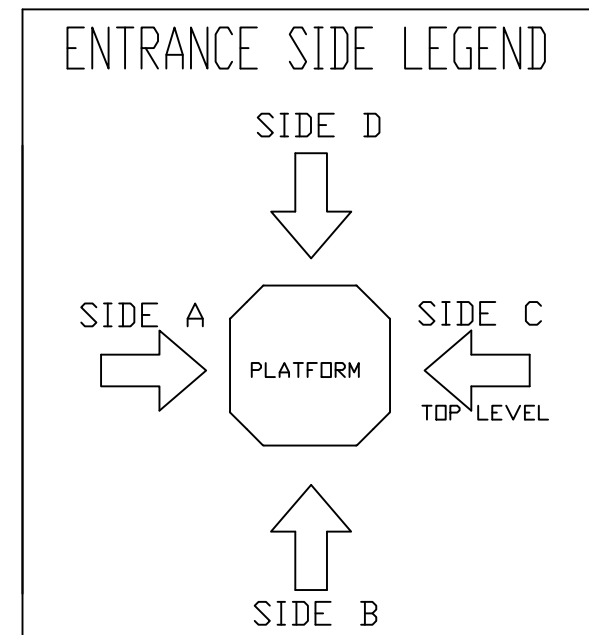
PIT FLOOR TO SUPPORT LOAD OF: 2150 kg [4700 lbs]
 IMPACT LOAD: 2520 kg [5540 lbs]

LANDING CHART

	LANDING 1	LANDING 2	LANDING 3
DOOR TYPE	SWING DOOR	SWING DOOR	SWING DOOR
ENTRANCE SIDE	C	C	C
DOOR SWING	RH_SWING	RH_SWING	RH_SWING
LOCK TYPE	HONEYWELL	HONEYWELL	HONEYWELL
HALL CALL KEY SWITCH	NO	NO	NO
FLOOR MARKING	1	2	3
LANDING CONFIGURATION	PIT	THRU-FLOOR	BALCONY

OPTIONS:

BUFFER SPRING: _____ No
 COLOR: _____ Texture Black (std) PX622N365



DATA SHEET

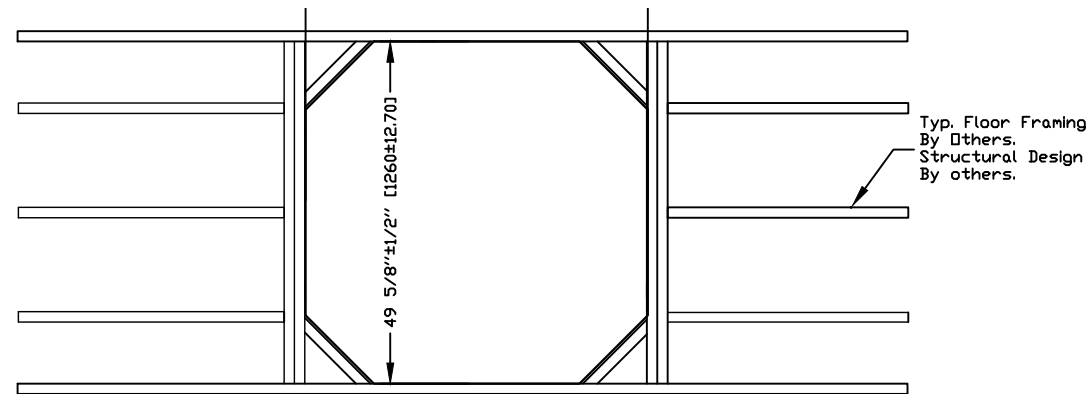
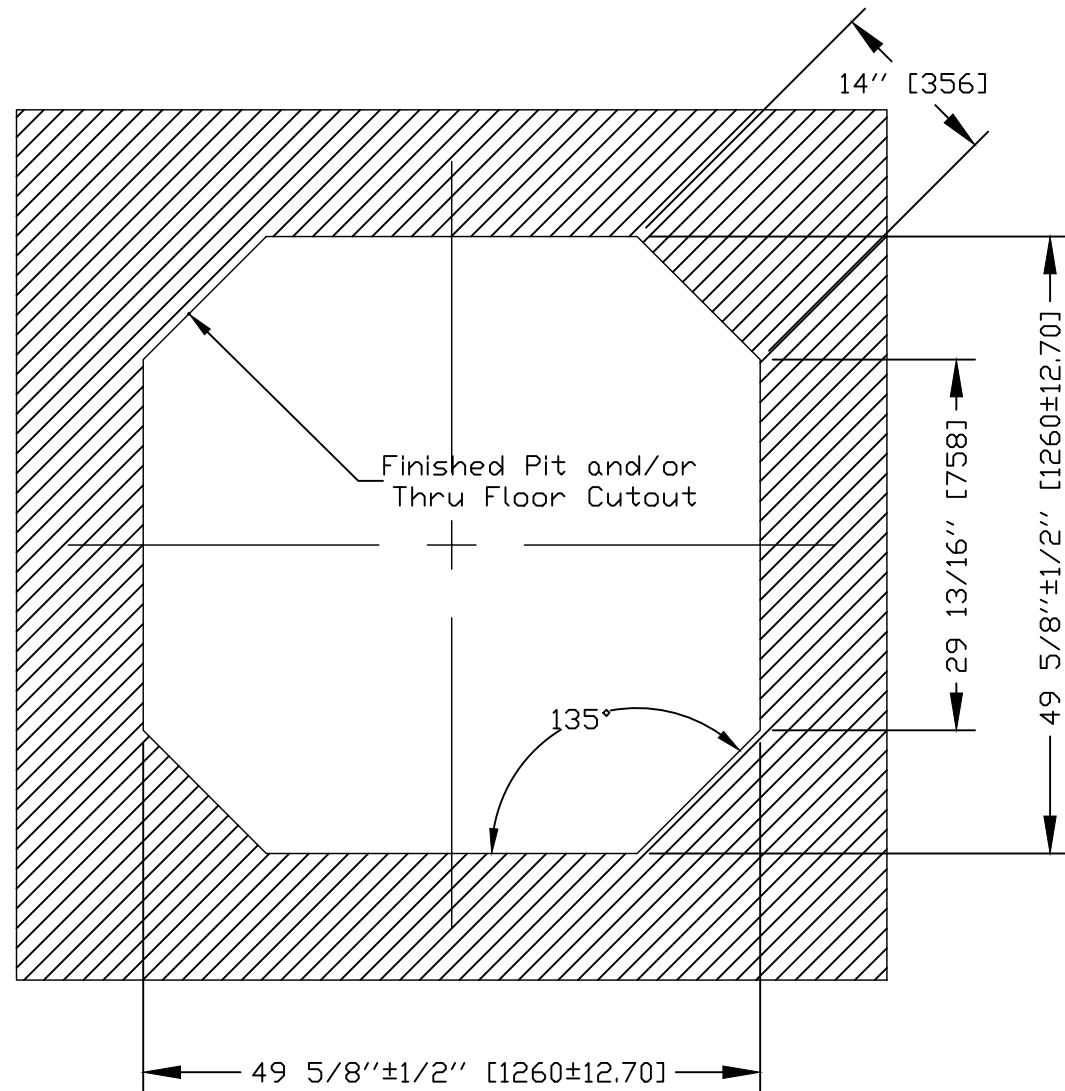
CUSTOMER:	DATE: 01/05/18
PROJECT:	REVISION DATE: 10/28/19
ADDRESS:	COMPLETED BY: SC
	5

OFFICE USE ONLY:
 CONFIGURATION VERSION STAMP: 1.5
 MODULE VERSION STAMP: E-S-7311

Part No. VUELIFT
 Variant No. P-000000

savaria™
 JOB No. OGM-TYPE 1 SHEET No. 16 OF 7

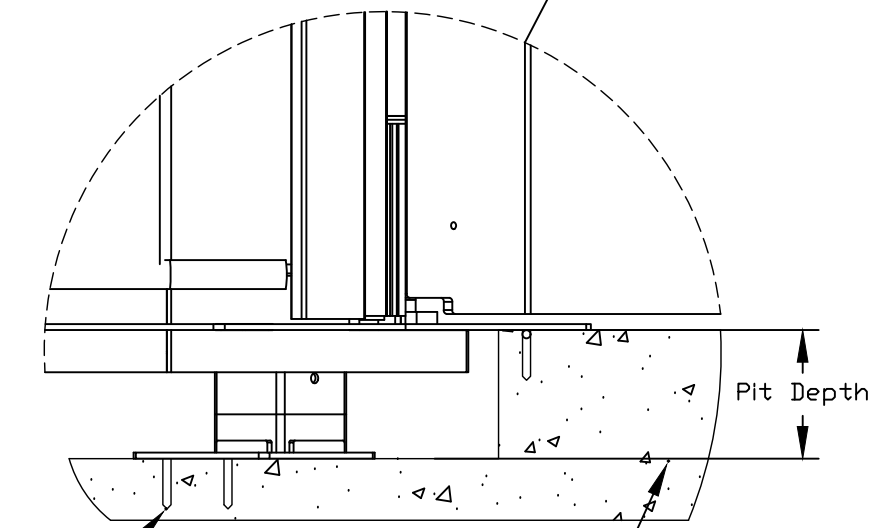
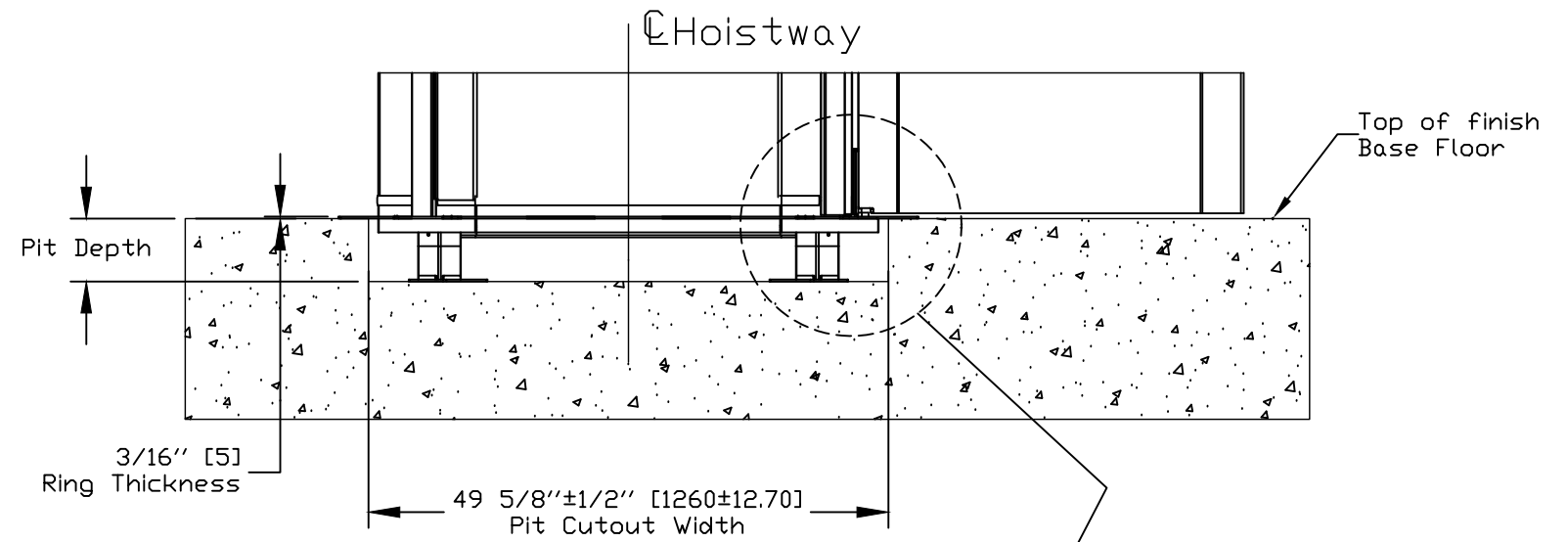
PLAN VIEW PIT CUTOUT/THRU FLOOR CUTOUT



NOTE:
PIT OPTION ROUGH IN AND FINISHED DIMS. ARE IDENTICAL TO THRU-FLOOR ROUGH IN AND FINISHED DIMS.

CLEARANCE FROM ADJACENT WALLS TO EDGE OF HOLE/PIT MUST BE MINIMUM 18" ON ALL SIDES.

WHEN THE UNIT IS UP AGAINST ONE WALL, 4" OF CLEAR SPACE IS REQUIRED BETWEEN WALL AND ELEVATOR.



2x Fastener in pit plate determined to be of wood screws or concrete fastener, 1/4" or larger in diameter and minimum 1.75 inches in length

8x Fasteners in ring determined to be of wood screws or concrete fastener, minimum 1/4" or larger in diameter and minimum 1.75" in length

OFFICE USE ONLY:	
CONFIGURATION VERSION STAMP:	1.5
MODULE VERSION STAMP:	E-S-73.11

Part No. VUELIFT
Variant No. P-000000

CUSTOMER:	DATE: 01/05/18
PROJECT:	REVISION DATE: 10/28/19
ADDRESS:	COMPLETED BY: SC
	5

savaria™

JOB No. OGM-TYPE 1 SHEET No. 7 OF 7

PIT CUTOUT AND THRU FLOOR CUTOUT